

## ACCUSET SB



### 1. DESCRIPTION

The HYDAC accumulator unit ACCUSET SB consists of a bladder accumulator SB, a safety and shut-off block SAF and the appropriate accumulator set SEB. The parts are designed for optimum compatibility and provide a compact, ready-to-install unit.

This space-saving combination simplifies the connection of the accumulator to the hydraulic system, reduces maintenance costs and considerably reduces assembly costs.

Advantages:

- Simple and secure mounting of the accumulator at the installation site,
- Connection of the accumulator with a hydraulic system via a safety and shut-off block,
- Protects the accumulator from excessive pressure,
- Discharge of the accumulator to the tank via a pressure release valve,
- Separation of the accumulator from the system,
- Two additional hydraulic connections on the shut-off block for accessories (e.g. pressure gauge).

### 1.1. STANDARD BLADDER ACCUMULATOR SB330

with a nominal volume of 1 ... 50 litres.  
Special accumulators available on request.  
See catalogue section:

- Bladder Accumulators Standard  
No. 3.201

**Please read the Operating Manual!  
No. 3.201.CE**

### 1.2. SAFETY AND SHUT OFF BLOCK SAF

in nominal sizes 10, 20 and 32, with manual or solenoid-operated/manual discharge and with the direct-operated pressure relief valve DB12 with CE marking, in accordance with the regulations of DIN EN 14359 "Accumulators for hydraulic applications" and the European Pressure Equipment Directive PED 97/23/EC.

See catalogue section:

- Safety and Shut-off Block SAF/DSV  
No. 3.551

### 1.3. ACCUMULATOR SET SEB

for mounting the bladder accumulator with clamps, back plate, console and rubber support ring.

See catalogue section:

- Supports for Hydraulic Accumulators  
No. 3.502

### 2. TECHNICAL SPECIFICATIONS

**Design:**

Pressure Equipment Directive PED 97/23/EC <sup>1)</sup>

**Permitted operating pressure:**  
330 bar <sup>1)</sup>

**Permitted temperature range:**  
-10 ... +80 °C (NBR) <sup>1)</sup>

Temperatures exceeding this range (e.g. in the event of an external fire) can result in the accumulator bursting. To prevent this, HYDAC can provide additional temperature fuses and bursting discs.

**Operating medium:**

Hydraulic fluids of types HL, HLP, HFA, HFB, HFC (NBR)

**Pressure limit:**  
DB12 set to 330 bar <sup>1)</sup>

**Release valve:**  
Operating voltage 24 V DC <sup>1)</sup>

**Fluid connection P:**  
See table at point 5.

**Surface:**

Accumulator primed, SAF block phosphate-plated, accumulator set zinc-plated.

The accumulator is supplied with 5 ... 8 bar protective storage pressure. Before commissioning, the accumulator must be pre-charged using the FPU-1.

Recommendation: approx.  $0.9 \cdot p_{\min}$  at  $t_{\max}$

See catalogue section:

- Accumulators  
No. 3.000

For selection of gas pre-charge pressure, see Operating Manual:

- Charging and Testing Unit FPU-1  
No. 3.501

<sup>1)</sup> others on request

### 3. MODEL CODE

(also order example)

ACCUSET SB 330 - 10 A 1 / 1 1 2 U - 10 Y 1 - 330

Type of accumulator

SB = bladder accumulator

Accumulator series

Nominal volume [l]

Fluid connection

A = standard connection

Gas valve

1 = standard model

Material of fluid connection / block

1 = carbon steel

2 = stainless steel

Shell material

1 = carbon steel

Accumulator bladder/seal material

2 = NBR / NBR

3 = ECO / NBR

4 = IIR / EPDM

6 = FKM / FKM

Certification code

SAF block series

Type of directional poppet valve

M = manual discharge

Y = solenoid-operated and manual discharge (open when de-energised)

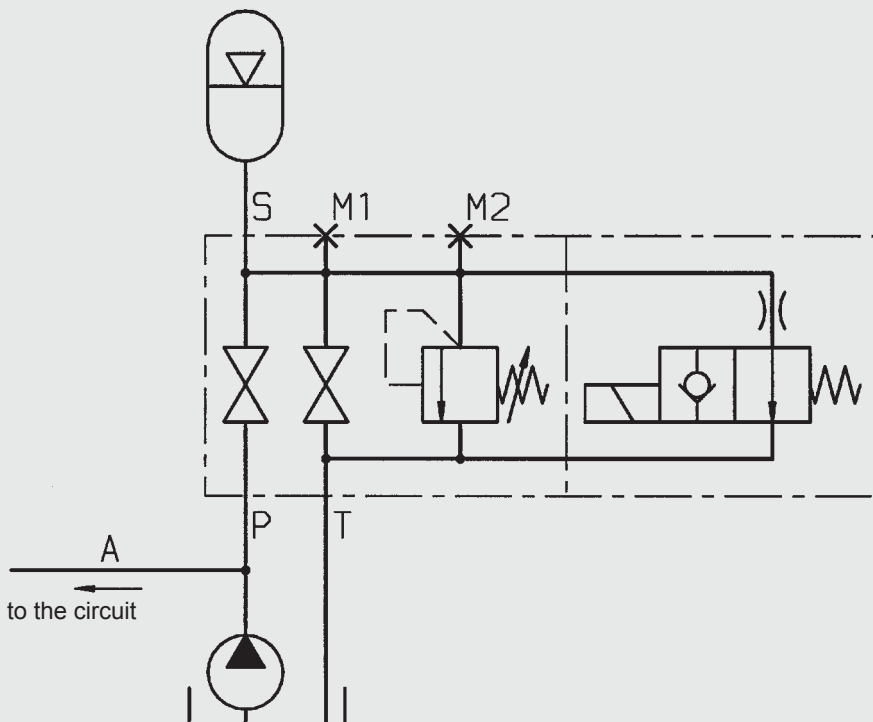
Z = solenoid-operated and manual discharge (closed when de-energised)

Type of voltage - directional poppet valve

1 = 24 V DC (only on Y or Z model)

Permitted operating pressure/  
cracking pressure of the pressure relief valve [bar]

### Circuit diagram



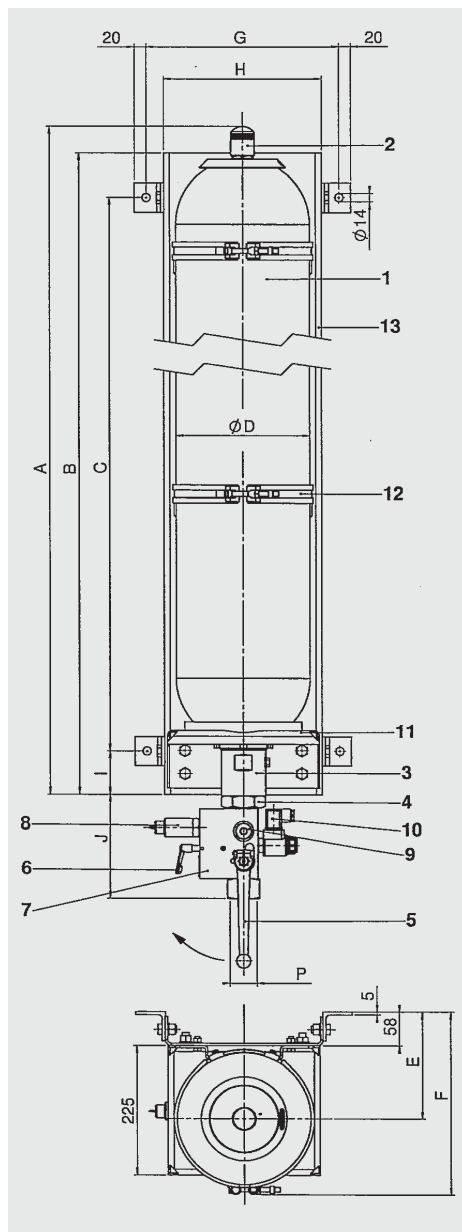
#### 4. PREFERRED MODELS

Description	Part no.	SB330-1A1/112U-330A	SB330-2.5A1/112U-330A	SB330-4A1/112U-330A	SB330-6A1/112U-330A	SB330-10A1/112U-330A	SB330-13A1/112U-330A	SB330-20A1/112U-330A	SB330-24A1/112U-330A	SB330-32A1/112U-330A	SB330-50A1/112U-330A	SAF10M12T330A	SAF10E12Y1T330A	SAF20M12T330A	SAF20E12Y1T330A	SAF32M12T330A	SAF32E12Y1T330A
ACCUSET SB330-1A1/112U-10M-330	3033471	●										●					
ACCUSET SB330-1A1/112U-10Y1-330	3033472	●											●				
ACCUSET SB330-2.5A1/112U-10M-330	3033473		●									●					
ACCUSET SB330-2.5A1/112U-10Y1-330	3033474		●										●				
ACCUSET SB330-4A1/112U-10M-330	3033475			●								●					
ACCUSET SB330-4A1/112U-10Y1-330	3033476			●									●				
ACCUSET SB330-6A1/112U-10M-330	3033477				●							●					
ACCUSET SB330-6A1/112U-10Y1-330	3033478				●								●				
ACCUSET SB330-10A1/112U-10M-330	3033479					●						●					
ACCUSET SB330-10A1/112U-10Y1-330	3033480					●							●				
ACCUSET SB330-13A1/112U-10M-330	3033481						●					●					
ACCUSET SB330-13A1/112U-10Y1-330	3033482						●						●				
ACCUSET SB330-13A1/112U-20M-330	3033483						●							●			
ACCUSET SB330-13A1/112U-20Y1-330	3033484						●								●		
ACCUSET SB330-20A1/112U-20M-330	3033485							●						●			
ACCUSET SB330-20A1/112U-20Y1-330	3033486							●							●		
ACCUSET SB330-24A1/112U-20M-330	3033487								●					●			
ACCUSET SB330-24A1/112U-20Y1-330	3033488								●						●		
ACCUSET SB330-32A1/112U-20M-330	3033489									●				●			
ACCUSET SB330-32A1/112U-20Y1-330	3033490									●					●		
ACCUSET SB330-32A1/112U-32M-330	3033491										●					●	
ACCUSET SB330-32A1/112U-32Y1-330	3033492											●					●
ACCUSET SB330-50A1/112U-20M-330	3033493										●			●			
ACCUSET SB330-50A1/112U-20Y1-330	3033494										●				●		
ACCUSET SB330-50A1/112U-32M-330	3033495											●				●	
ACCUSET SB330-50A1/112U-32Y1-330	3033496												●				●

Other combinations and models available on request.

## 5. DIMENSIONS

Description	Item
Accumulator shell	1
Gas valve	2
Oil valve	3
Adapter S	4
Switching handle	5
Release spindle	6
SAF safety block	7
Pressure relief valve	8
Connection for pressure gauge	9
Release valve	10
Console	11
HyRac clamp	12
Back plate	13



Bladder accumulator	A <sub>max</sub> [mm]	B [mm]	C [mm]	ØD <sub>max</sub> [mm]	E [mm]	F [mm]	I [mm]	G [mm]	H [mm]
SB330-1 <sup>1)</sup>	302	–	–	118	–	–	–	–	–
SB330-2.5 <sup>2)</sup>	532	460	310		133	214	75	198	138
SB330-4	410	410	320	173	152	265	45	330	270
SB330-6	540	570	420						
SB330-10	568								
SB330-13	660								
SB330-20	896								
SB330-24	1062								
SB330-32	1411	1340	1190	229	180	317	75	330	270
SB330-50	1931								

<sup>1)</sup> without back plate and console, with a HyRac clamp 110-118/124 H10 ST

<sup>2)</sup> without console, with back plate and two HyRac clamps 110-110/124 H10 ST

SAF series	Nominal size SB330 [I]	P ISO 228	Connection for pressure gauge	J [mm]
SAF10	1	G 1/2	2 x G 1/4	142
	2.5 ... 6			143
	≥ 10			147
SAF20	1	G 1	G 1/4, G 1/2	173
	2.5 ... 6			174
	≥ 10			178
SAF32	≥ 1	G 1 1/2		203

## 6. NOTE

The information in this brochure relates to the operating conditions and applications described. For applications and operating conditions not described, please contact the relevant technical department. Subject to technical modifications.

**HYDAC Technology GmbH**

Industriegebiet

**66280 Sulzbach/Saar, Germany**

Tel.: +49 (0) 68 97 / 509 - 01

Fax: +49 (0) 68 97 / 509 - 464

Internet: [www.hydac.com](http://www.hydac.com)

E-Mail: [speichertechnik@hydac.com](mailto:speichertechnik@hydac.com)